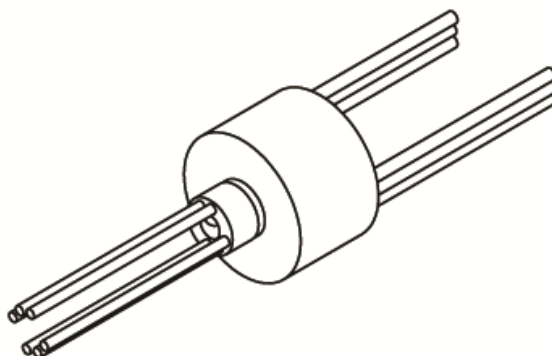


SERVOTRONIC AB

Slipring SETH03-18 Datasheet



Parameters:

Mechanical :

Working speed	500rpm
Operating temperature	-40°C~ +100°C
Contact material	Precious metal
IP Grade	IP 54

Electrical:

Circuit	2 & 6 & 8
Current	2A
Voltage	≤380V
Dielectric strength	≥1000V@50Hz between each circuit
Insulation resistance	1000MΩ@ 500VDC
Electric noise	≤7mΩ
Lead wire size	26AWG, UL, color Teflon, silver or tin plated
Lead wire length	200mm

SERVOTRONIC AB

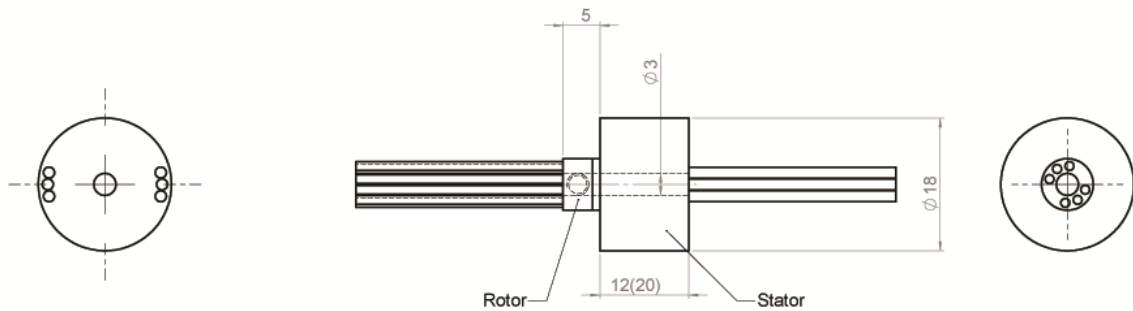
Redaregatan 2
Box 175
731 24 Köping
Sweden

Phone: +46 (0)221 - 137 60
Fax: +46 (0)221 - 195 42

Email: info@servotronic.se
Web: www.servotronic.se

SERVOTRONIC AB

CAD Drawing:



Dimension:

Type	Standard Rings	ID	OD
SETH03-18	2 & 6 & 8	$\Phi 3$ mm	$\Phi 18$ mm

Customization is available.